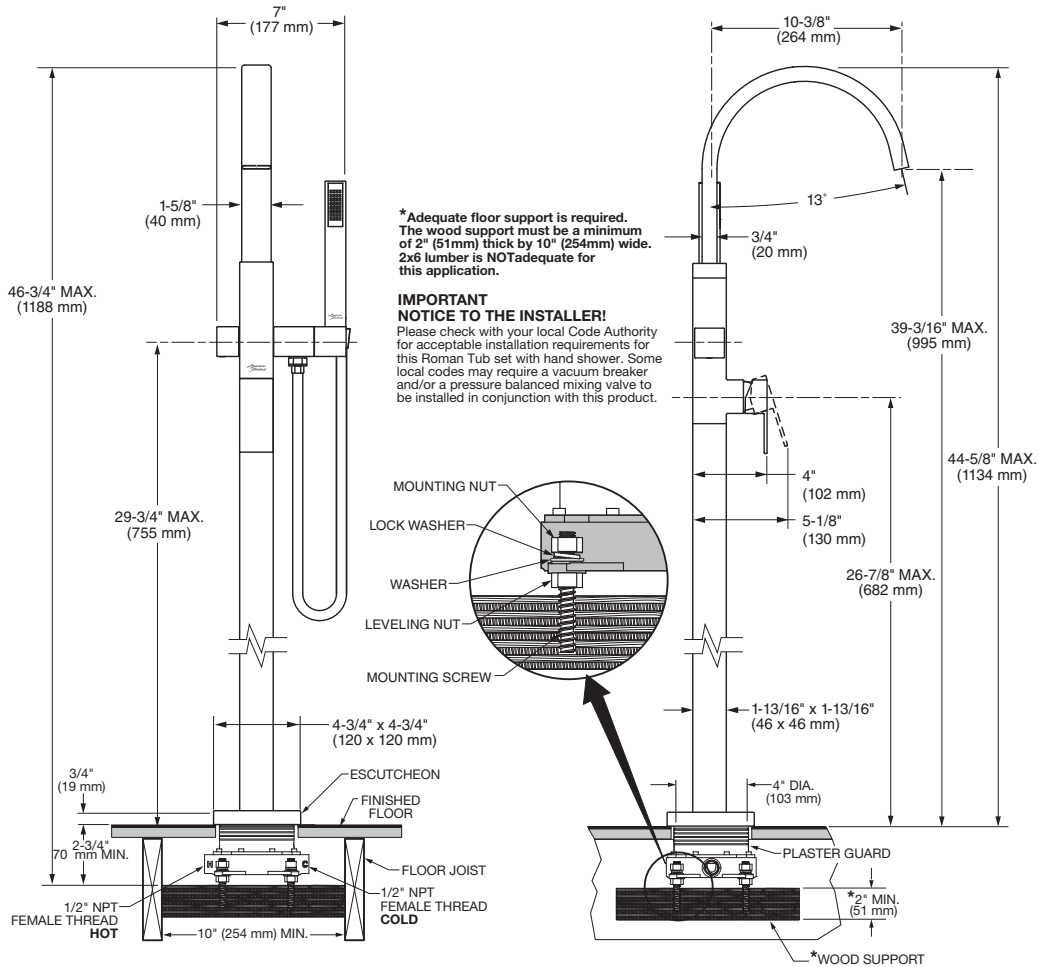




MODEL NUMBER

☐ **T184951 Free Standing Tub Filler**
Personal Shower. Metal Lever Handle.

For use with FLASH Rough Valve Bodies



GENERAL DESCRIPTION

Durable brass construction. Rigid brass and copper waterway. 35mm washerless 1/4 turn ceramic disc valve cartridge. Metal single function personal shower with easy to clean spray face features a 59" long metal hose. 1.8 gpm/6.8 L/min. maximum flow rate. Shower bracket pivots 60°. Includes double check valves to prevent back flow.

PRODUCT FEATURES

Brass Construction: Durable. Ideal for prolonged contact with water.

Ceramic Disc Valve Cartridge: Assures a lifetime of drip-free performance.

Choice of Finishes: Wide range of durable finishes.

SUGGESTED SPECIFICATION:

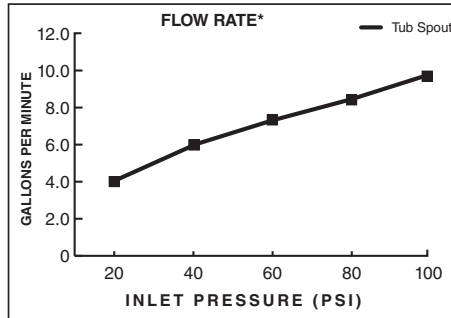
Free standing tub filler shall feature brass construction. Shall also feature 1/4 turn washerless ceramic disc valve cartridge. Fitting shall be American Standard Model #T184951._____.

CODES AND STANDARDS

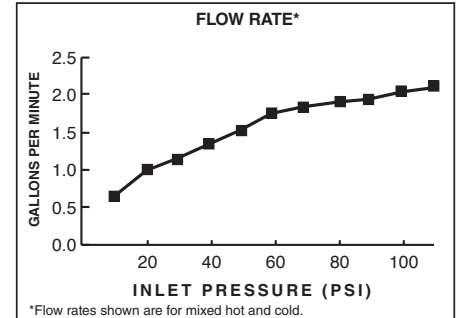
These products meet or exceed the following codes and standards:

**ASME A112.18.1
CSA B125.1**

**Check local plumbing codes.
Some installations may require
a vacuum breaker.**



TUB SPOUT FLOW



HAND SHOWER FLOW

Product Number	Description	Finish Options	
		Polished Chrome	Brushed Nickel
		002	295
T184951	Free Standing Tub Filler Trim. Personal shower. Metal Lever handle.	✓	✓

FLASH ROUGH VALVE BODIES

- R950** FLASH Free Standing Tub Filler Rough Valve.
- R950SS** FLASH Free Standing Tub Filler Rough Valve with Service Stops.