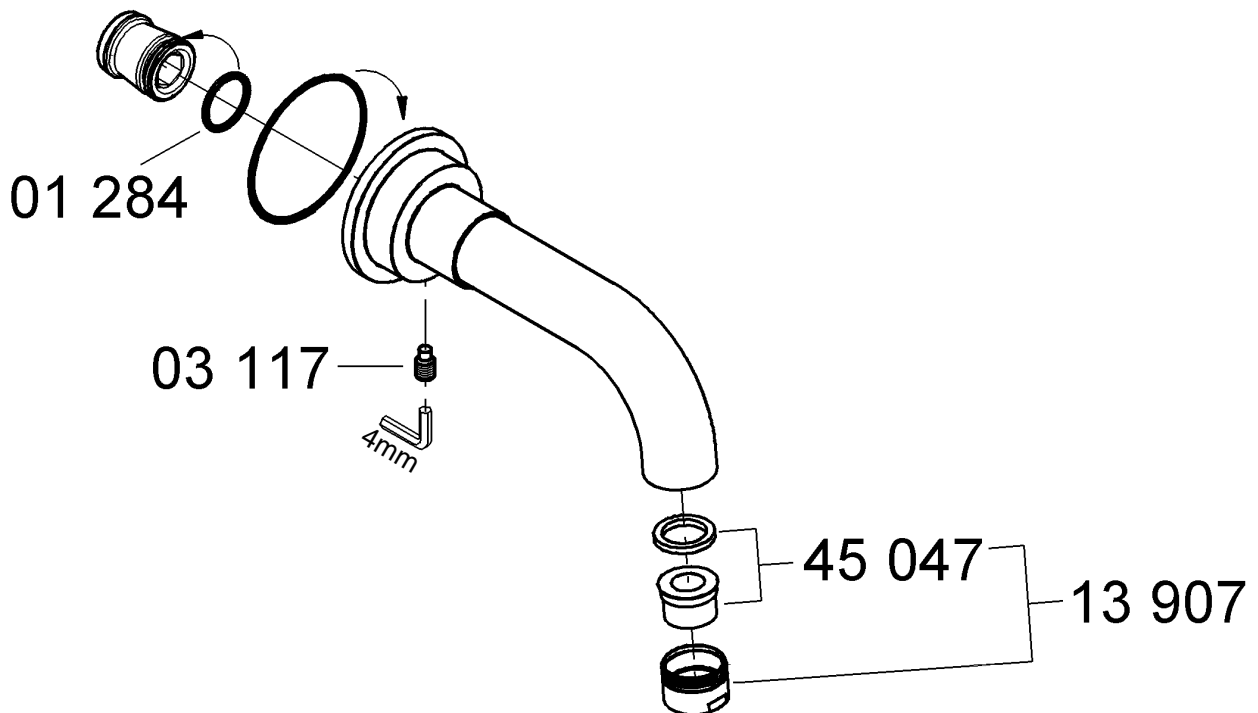
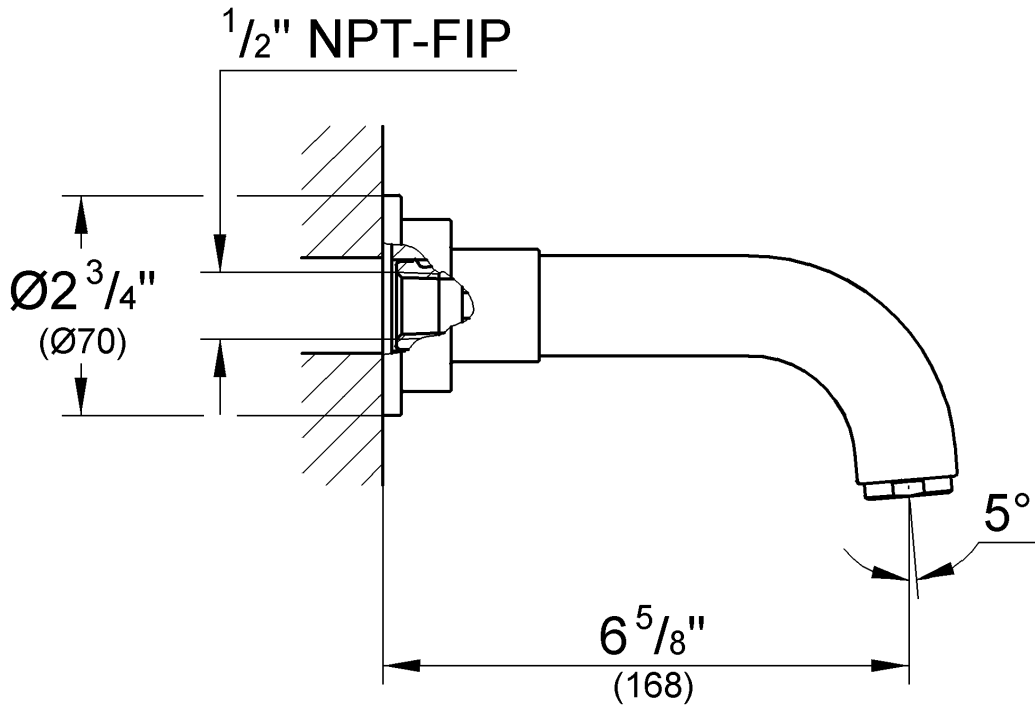




WATER TECHNOLOGY

13 164





WATER TECHNOLOGY

