

Aspirations™ 60"x36" Apron Bathtub

2965102 BATHTUB

Right Drain

2965202 BATHTUB

Left Drain

Stylish Design:

- High-gloss acrylic with fiberglass reinforcement
 - Integral apron with clean, minimalist design
 - Spaciously designed to provide maximum bathing space with a wide and deep bathing well
 - Color matched white slotted overflow and drain for seamless look and increased soaking depth (sold separately)
 - Textured floor help to improve safety
 - Smooth lumbar support for increased back comfort
 - Form fitted tub pillow for maximized comfort sold separately
 - Coordinates with Aspirations™ bathroom suite
- Easy Install and Care:**
- High-gloss surface allows easier maintenance and cleaning
 - Integral three-sided, 1" tiling/water retention flange helps prevent water seepage
 - Pre-leveled tub bottom for easier installation
 - Integral lumbar support provides extra comfort
 - Limited Lifetime warranty



Nominal Dimensions:

60" x 36" x 18"

(1524 x 914 x 457mm)

Compliance Certifications - Meets or Exceeds the Following Specifications:

- CSA B45.5/ IAPMO Z124
- cUPC

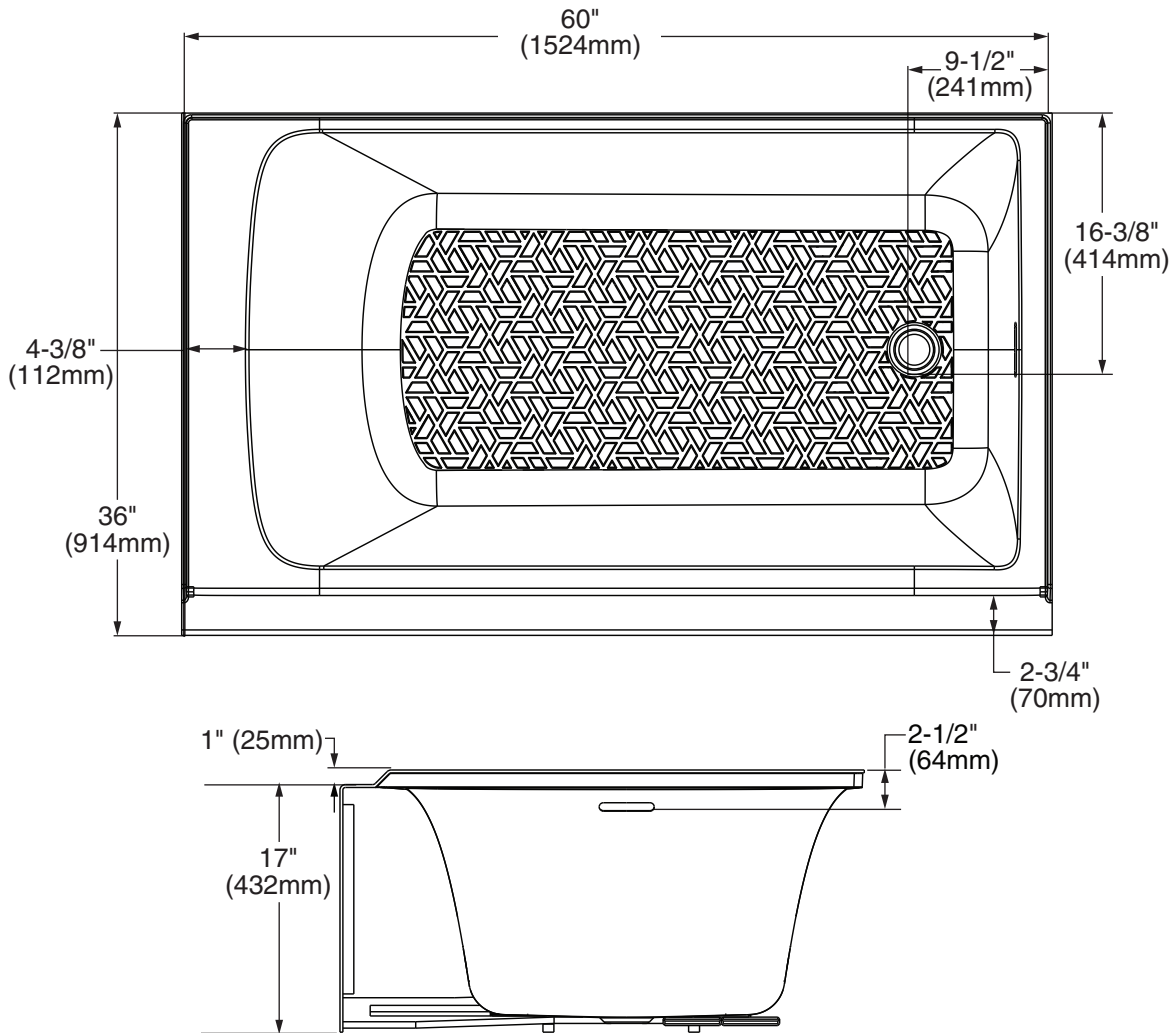
To Be Specified - Required

- Color:
 - 020 White
- 1616000.020 Slotted Drain

Optional Components

- Bath Walls:
 - 2952BWT36.020
- Shower Doors:
 - AM00853400.213 - Chrome
 - AM00853400.245 - Matte Black
 - AM00853400.295 - Brushed Nickel
- Pillow:
 - 7181000

SEE REVERSE FOR ROUGHING-IN DIMENSIONS
AND PRODUCT SPECIFICATIONS



GENERAL SPECIFICATIONS FOR 2965 102/202 TUB	
INSTALLED SIZE	60 x 36 x 18 In. (1524 x 914 x 455mm)
WEIGHT	90 Lbs. (41 Kg)
WEIGHT w/WATER	535 Lbs. (243 Kg)
GAL. TO OVERFLOW	60.79 Gal. (230 L)
BATHING WELL AT SUMP	43-1/8 x 21-3/8 In. (1097 x 542mm)
BATHING WELL AT RIM	53-1/8 x 30-3/8 In. (1348 x 771mm)
WATER DEPTH TO OVERFLOW	14 In. (355mm)
FLOOR LOADING	39.33 Lbs./Sq.Ft. (192 Kg/Sq.m)
LUMBAR ANGLE	24.7 deg
PROJECTED AREA	15 sq ft (1.40 sq m)
PROJECTED VOLUME	22.5 cu ft (0.6 cu m)

NOTES:

- BATH TO BE INSTALLED ABOVE FLOOR LINE AS A RECESS INSTALLATION.
- REFER TO INSTALLATION INSTRUCTIONS SUPPLIED WITH TUB FOR ADDITIONAL INFORMATION.
- FITTINGS NOT INCLUDED AND MUST BE ORDERED SEPARATELY.
- PROVIDE SUITABLE REINFORCEMENT FOR ALL SUPPORTS.
- MOUNTING HOLES DRILLED BY INSTALLER.

IMPORTANT: Dimensions of fixtures are nominal and may vary within the range of tolerances established by ANSI Standard CSA B45.5-11/IAPMO Z124. These measurements are subject to change or cancellation. No responsibility is assumed for use of superseded or voided pages.