

**GENERAL DESCRIPTION:**  
Manual Diaphragm-Type Urinal Flush Valve for 3/4" top spud urinals.

**PRODUCT FEATURES:**

- Patent-pending DynaClean™ wiper spring technology significantly reduces maintenance and downtime.
- Self-cleaning wiper spring cleans the refill orifice with every flush; prevents valve run-on from clogging
- Prevents costly excess water usage and potential flooding
- Premium EvoLast™ material is chlorine and chloramine resistant to prevent premature deterioration and failure
- Delivers consistent flushing performance and water savings over time
- Dezincification-resistant brass alloy withstands the most severe water conditions
- Non-hold open handle provides automatic shut-off
- High back pressure vacuum breaker prevents dripping
- Adjustable tailpiece for rough-in flexibility
- Can be installed left or right handed
- No external volume adjustment
- ADA compliant

**MODEL NUMBER:**



**6145013.002** Flush Valve for 3/4" top spud urinal, 11-1/2" rough-in, 0.125 gpf/0.5 Lpf



**6145051.002** Flush Valve for 3/4" top spud urinal, 11-1/2" rough-in, 0.5 gpf/0.9 Lpf

**6145101.002** Flush Valve for 3/4" top spud urinal, 11-1/2" rough-in, 1.0 gpf/3.8 Lpf

**OPERATING PRESSURE:**

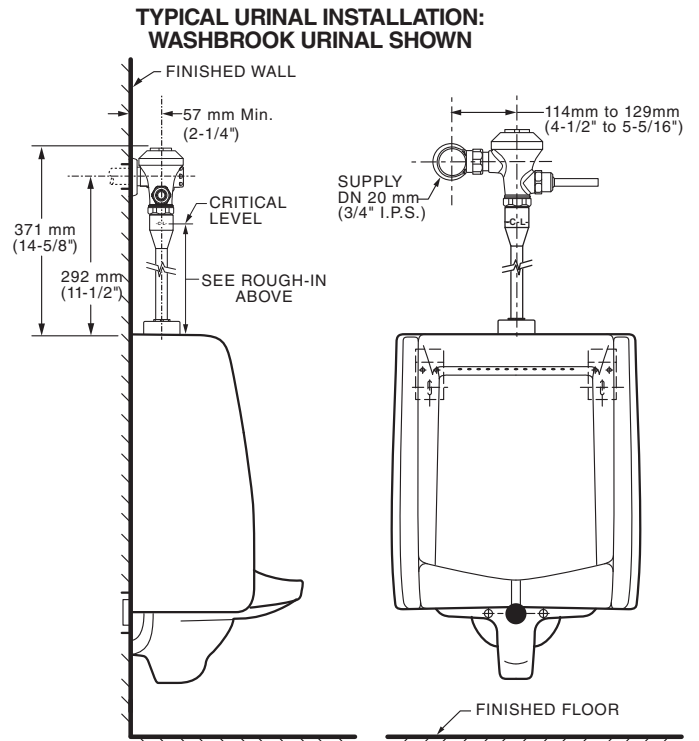
20 psi (flowing)-80 psi (static)

**FLOW REQUIREMENT:**

10 gpm (37.9 L/min.)

**INCLUDES:**

- 3/4" I.P.S. angle stop with back-flow prevention and vandal-resistant cap
- Sweat solder kit including cover tube and wall flange
- High back pressure vacuum breaker with down tube
- Spud coupling & flange for 3/4" top spud



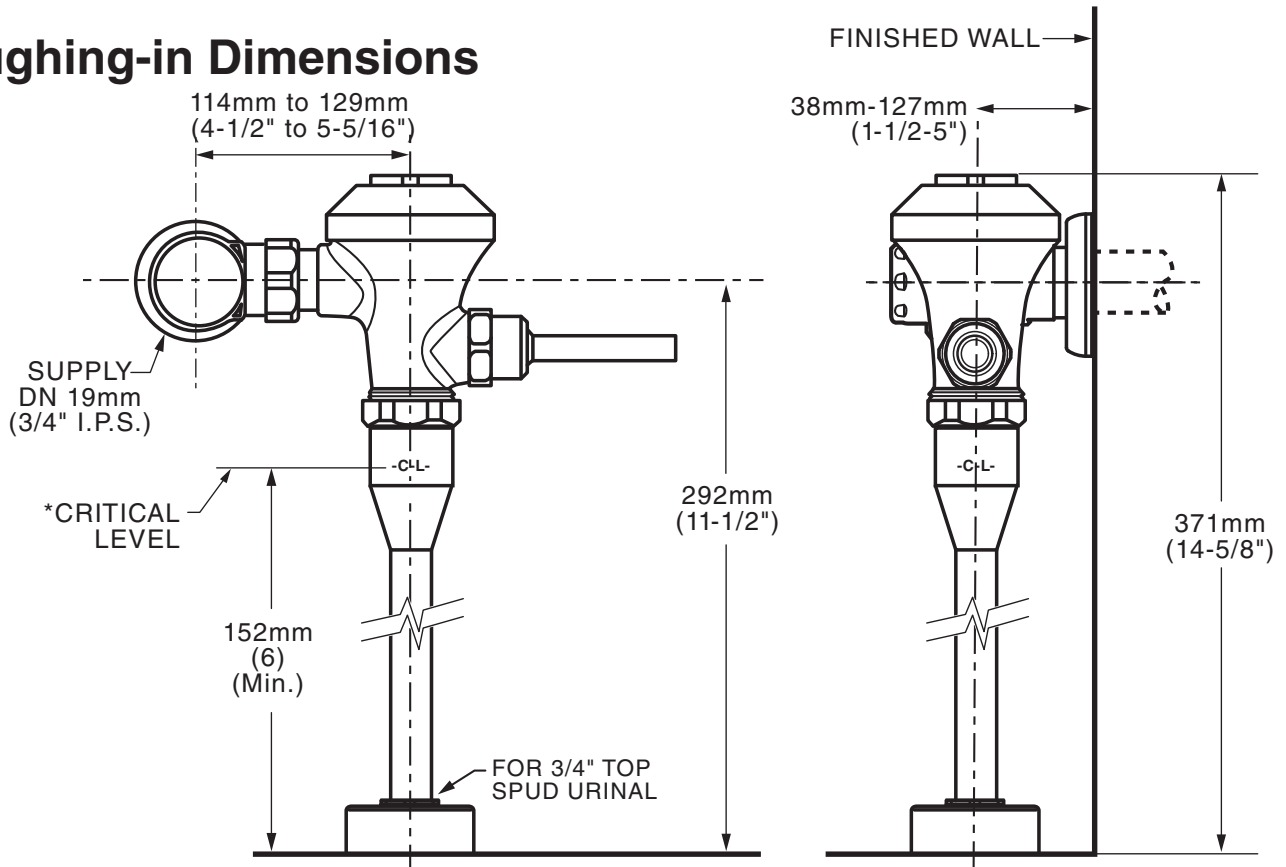
**RECOMMENDED SPECIFICATION:**

Manual urinal flush valve shall feature self-cleaning diaphragm valve with integral DynaClean wiper spring in bypass orifice to prevent clogging. Advanced EvoLast diaphragm provides superior chlorine-resistance. Includes dezincification-resistant cast brass valve body with chrome finish. Includes sweat solder kit with wall flange and cover tube. Angle stop with back-flow protection and vandal-resistant stop cap. High back pressure vacuum breaker included.

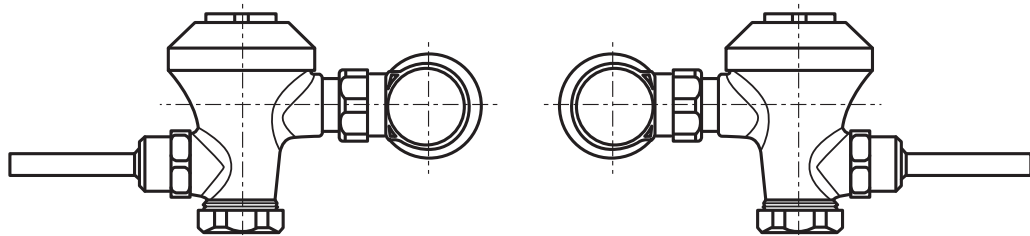
**LISTINGS:**

- ASSE 1037
- ANSI/ASME A112.19.2
- ADA Compliant

**Roughing-in Dimensions**



\*Note: The Critical Line (-C-L-) on Vacuum Breaker must typically be a minimum of 6" (152 mm) above fixture. Consult Codes for details.



**Left or Right Hand Installation**

**ADA** MEETS THE AMERICANS WITH DISABILITIES ACT GUIDELINES AND ANSI A117.1 REQUIREMENTS FOR ACCESSIBLE AND USABLE BUILDING FACILITIES-CHECK LOCAL CODES

**PART OF LIXIL**