

GENERAL DESCRIPTION:

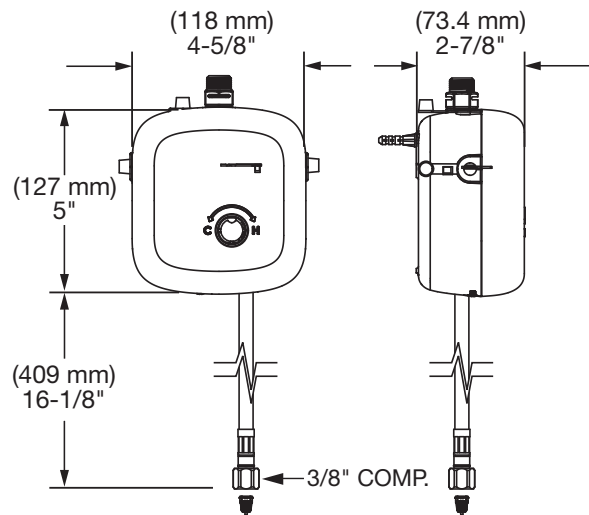
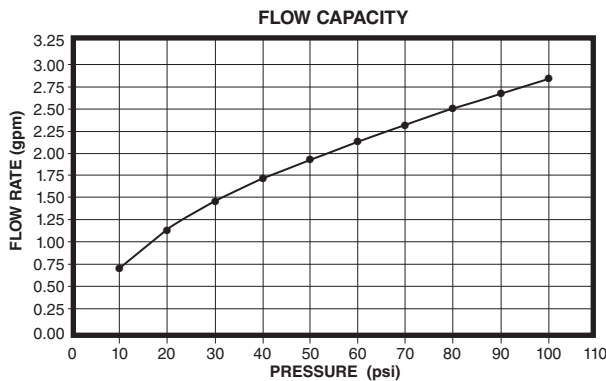
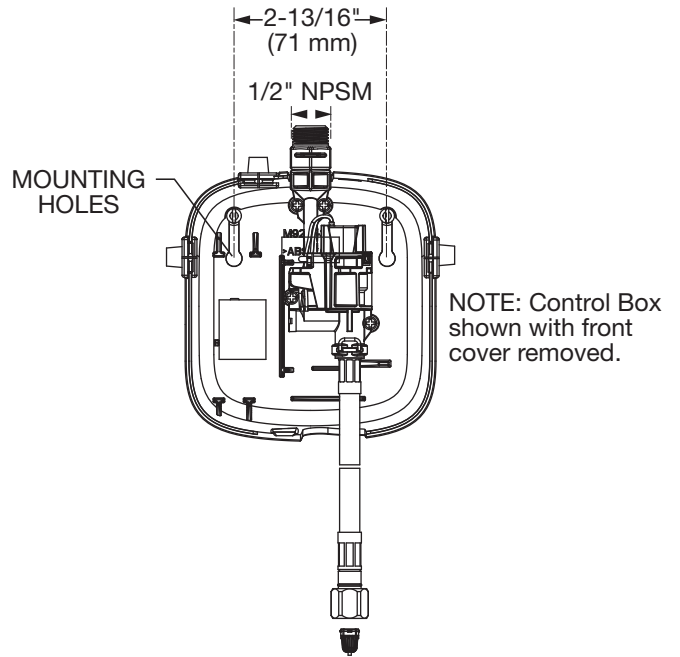
Below deck Solenoid valve to be used with sensor faucets. Single water supply.

PRODUCT FEATURES:

- 3/8" Stainless steel compression flex hoses, 20" length included
- Lead Free: Valve contains ≤ 0.1% to 0.25% total lead content by weighted average.
- Certified down to 0.35 gpm

MODEL NUMBER:

- ❑ **0000_STV** Recommended to be used with Sensor Faucets.



RECOMMENDED SPECIFICATION

The Solenoid Valve type with built-in check valves to prevent cross-flow. Includes 20" long S.S. flex hoses with 3/8" compression fittings. Fitting shall be American Standard Model # 0000_STV.