

**Sandhill Chair Height Elongated
12" Rough HET Toilet**

249AA104.100 - Left-Hand Trip Lever
249AA105.100 - Right-Hand Trip Lever

3479A101.100

- Elongated bowl, less seat, 2" exposed trapway for optimal flushing performance
- 16-1/2" rim height for accessible applications
- 12" (305 mm) rough-in

4449A104.100 - Left-Hand Tank

- High Efficiency Toilet (HET), low consumption (4.8 Lpf/1.28 gpf)
- Meets EPA WaterSense® criteria
- 3" flush valve
- Color matched trip lever is supplied



Also Available with Right Hand Trip lever

4449A105.100 - Right-Hand Tank

- 1,000g MaP Score
- Limited lifetime warranty on chinaware, limited 2 year warranty on all mechanical parts
- Fixture only. Toilet seat, wax ring and supply line are purchased separately

Nominal Dimensions:

30-7/8" x 17-7/16" x 29-3/8"
(783 x 442 x 746 mm)

Compliance Certifications -

Meets or Exceeds the Following Specifications:

- ASME A112.19.2/CSA B45.1 for Vitreous China Fixtures
- US EPA WaterSense® Specification for HETs



Meets B651-12 Barrier Free code. Check local codes.



Meets the American Disabilities Act Guidelines and ANSI A117.1 Requirements for the physically challenged.

NOTES:

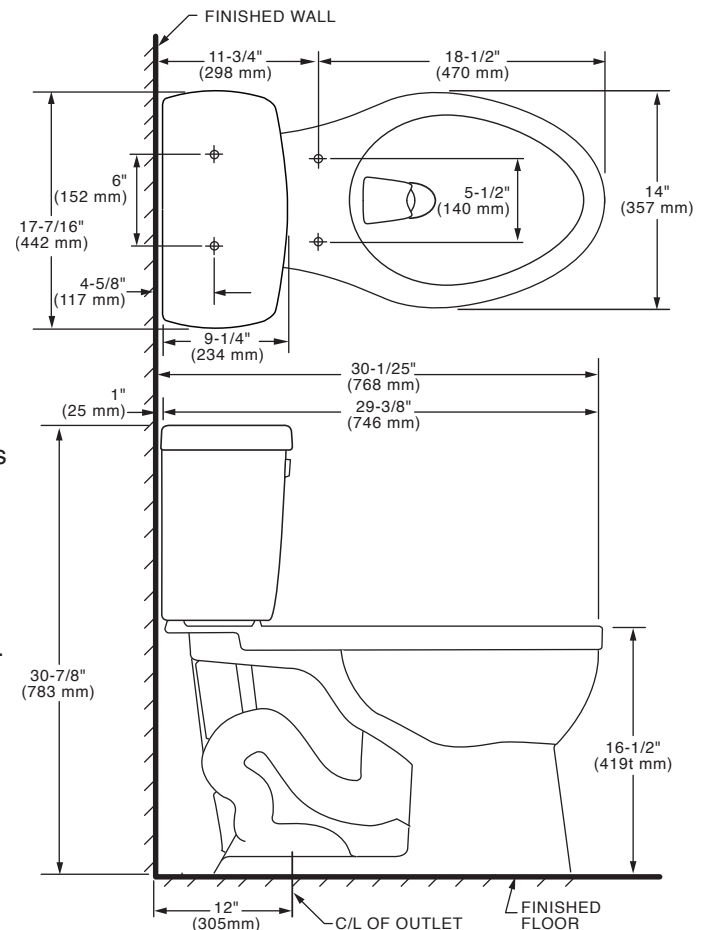
This combination is designed to rough-in at a minimum dimension of 305 mm (12") from finished wall to C/L outlet.

* Dimension shown for location of supply is suggested.

IMPORTANT: Dimensions of fixtures are nominal and may vary within the range of tolerance established by ANSI Standard A112.19.2. These measurements are subject to change or cancellation. No responsibility is assumed for use of superseded or voided pages.



EPA
WATERSENSE®
CERTIFIED



Crane Plumbing®, the Crane Plumbing logo and all associated product names are exclusively owned by AS America, Inc., and are registered or unregistered trademarks in the U.S. and internationally. © 2025 AS America, Inc. All rights reserved.