

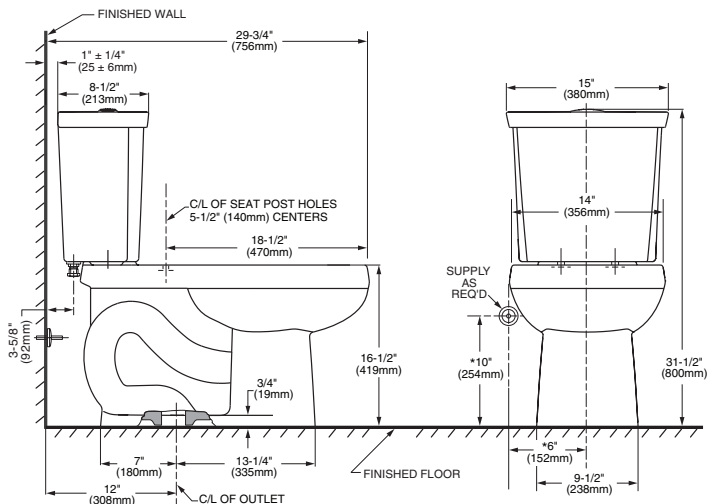
**CADET® 3 DUAL FLUSH RIGHT HEIGHT®
ELONGATED TOILET**

BARRIER FREE



3380526ST

- Vitreous china
- Right Height Elongated Siphonic action dual flush combination bowl and tank
- Siphon action bowl with direct-fed jet
- Ultra high efficiency
 - Full Flush (4.8 Lpf/1.28 gpf)
 - Partial Flush (3.4 Lpf/0.92 gpf)
- Elongated siphon action bowl with direct-fed jet
- 16-1/2" rim height
- Meets EPA WaterSense® criteria
- MaP PREMIUM listed
- Qualifies in LEED Program
- Includes EverClean® antimicrobial surface
- Exclusive PowerWash™ rim technology that scours the bowl clean with pressurised water with each flush
- No tools installation, simple DIY installation
- 419mm (16-1/2") rim height for accessible applications
- 305mm (12") rough-in
- Fully glazed 2" Trapway
- Generous 229 x 208mm (9" x 8") water surface area
- Chrome plated top mounted push button actuator
- Sanitary bar on bowl
- 100% Factory flush tested
- Includes EverClean® Slow Close Elongated Seat
- All in one box solution: Bowl, Tank, Toilet Seat, Wax ring and matching bolts
- 2 color matched bolt caps
- Limited lifetime warranty



Nominal Dimensions:

756 x 380 x 800mm
(29-3/4" x 15" x 31-1/2")

Compliance Certifications -

Meets or Exceeds the Following Specifications:

- ASME A112.19.2-2008/CSA B45.1-08 for Vitreous China Fixtures
- Trap Seal Depth and all Dimensions
- US EPA WaterSense® criteria for UHETs

NOTES:

THIS COMBINATION IS DESIGNED TO ROUGH-IN AT A MINIMUM DIMENSION OF 305MM (12") FROM FINISHED WALL TO C/L OF OUTLET. * DIMENSION SHOWN FOR LOCATION OF SUPPLY IS SUGGESTED. SUPPLY NOT INCLUDED WITH FIXTURE AND MUST BE ORDERED SEPARATELY.

IMPORTANT: Dimensions of fixtures are nominal and may vary within the range of tolerance established by ANSI Standard A112.19.2. These measurements are subject to change or cancellation. No responsibility is assumed for use of superseded or voided pages.

To Be Specified:

- Color: White Supply with stop:

