

135150\_0

## UNIVERSAL

# EDGE LINE SINGLE HOLE SINGLE-HANDLE BATHROOM FAUCET

*American  
Standard*

### STANDARD SPECIFICATION:

- Metal construction for lasting durability
- Ceramic disc valve ensures drip-free performance for life
- Includes easy-to-install push drain
- 4.5L/min flow rate (1.2gpm), saving water without sacrificing performance
- Includes 22" supply lines and optional deck plate (20" from deck to supply")
- Complies with NSF/ANSI/CAN 372, federal and state regulations as lead-free
- Limited lifetime warranty
- ADA compliant
- Tarnish-, scratch-, and corrosion-resistant finish



### AVAILABLE FINISHES:

1351500020



1351502430



### CERTIFICATIONS:



- ADA
- WaterSense
- CEC Certified
- Low Lead Certified
- CALGreen Compliant
- Massachusetts Plumbing Board Approved
- Energy Policy Act of 1992
- NSF 61
- NSF 372
- CSA B125.1
- ASME A112.18.1
- Complies with lead plumbing laws

NOTE: Install this product according to the installation guide. ADA, CSA compliant when installed to the specific requirements of these regulations.

We reserve the right to make revisions without notice to product specifications. 02-26-2026

**US**  
Tel: 1.855.815.0004

For the most current Specification Sheet,  
go to <https://www.americanstandard-us.com>.

**Canada**  
Tel: 855.836.9615

For the most current Specification Sheet,  
go to <https://www.americanstandard.ca>.

PART OF **LIXIL**

135150\_0

# UNIVERSAL

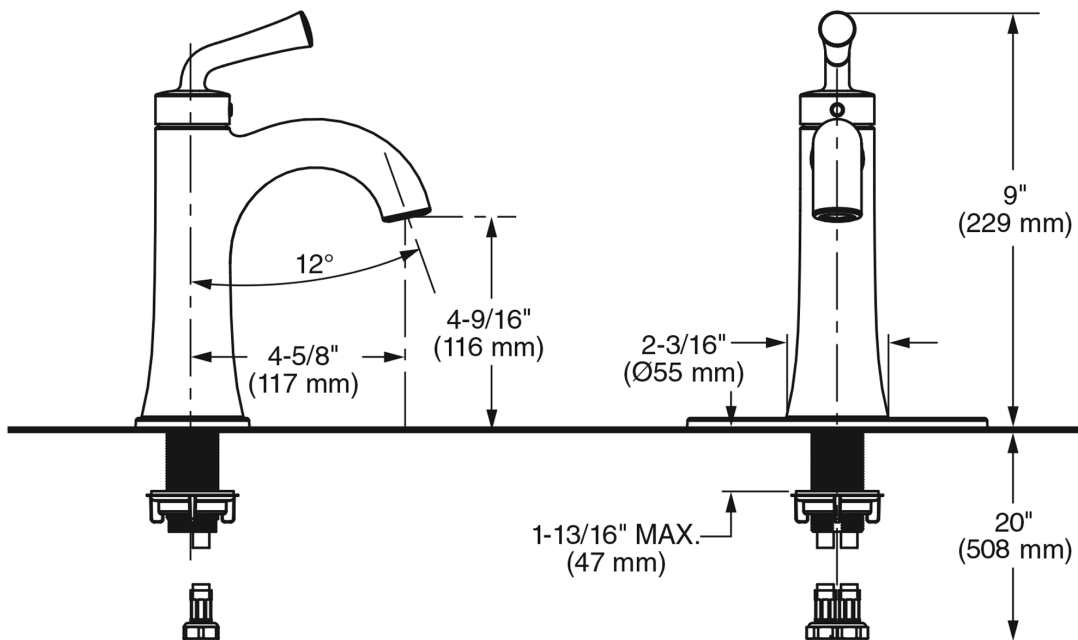
## EDGE LINE SINGLE HOLE SINGLE-HANDLE BATHROOM FAUCET

*American  
Standard*

### TECHNICAL DATA:

Product Height	9 in (228.6 mm)
Product Length	6.4 in (162.56 mm)
Product Width	2.1 in (53.34 mm)
Fitting Spout Height	4.6 in (116.84 mm)
Fitting Spout Reach	4.6 in (116.84 mm)
Fitting Handle Height	2.4 in (60.96 mm)
GPM (Min)-GPM (Max)	1.2 GPM
Product Weight	2.932 lb

### PRODUCT COMPONENTS:



NOTE: Install this product according to the installation guide. ADA, CSA compliant when installed to the specific requirements of these regulations.

We reserve the right to make revisions without notice to product specifications. 02-26-2026

US

Tel: 1.855.815.0004

For the most current Specification Sheet,

go to <https://www.americanstandard-us.com>.

Canada

Tel: 855.836.9615

For the most current Specification Sheet,

go to <https://www.americanstandard.ca>.

PART OF **LIXIL**